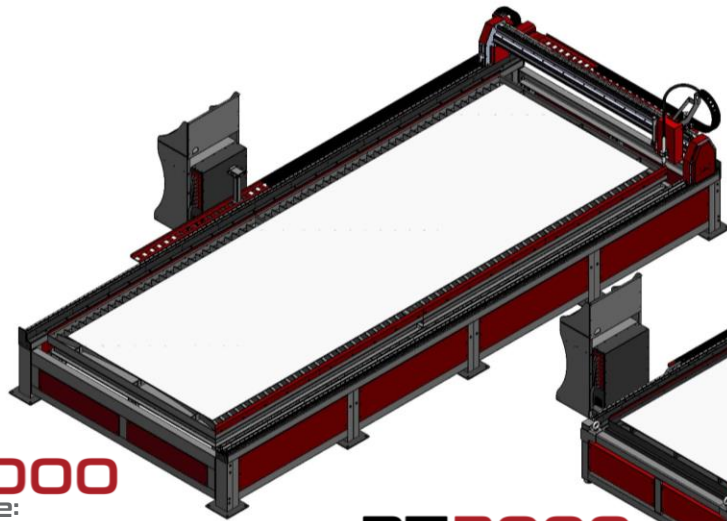




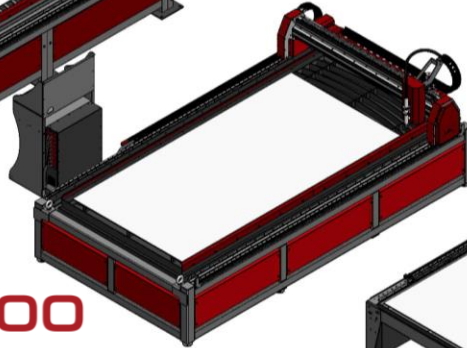
HYPERTHERM®

A Hypertherm Associates Brand

Authorized Distributor



PT6000
Plate Size:
6.0m x 2.0m



PT3000
Plate Size:
3.0m x 1.5m



PT2400
Plate Size:
2.4m x 1.2m



PT1512
Plate Size:
1.5m x 1.2m



PT1200
Plate Size:
1.2m x 1.2m



Integrated with Powermax & NEW Powermax SYNC™ series

PLASMATECH

CNC PLASMA MACHINES

WHY PLASMATECH ?

- Designed and manufactured in South Africa, since 2010.
- Exclusively offered with **HYPERTHERM** plasma sources for the best cutting experience.
- Technical / after sales support on machines, plasma units & consumables..

www.plasmatech.co.za

Designed and
manufactured by:



AUTOMATED SOLUTIONS

www.dge.co.za
info@dge.co.za

PT1200

Plate Size: 1.25 x 1.25m



Control:

- ✓ **OPTIONAL Stand**
- ✓ Pre-configured laptop
- ✓ Industry standard software (included), ready to CUT

Features:

- ✓ **OPTIONAL Torch Height Control (THC)**
- ✓ Safety limit switches

Construction:

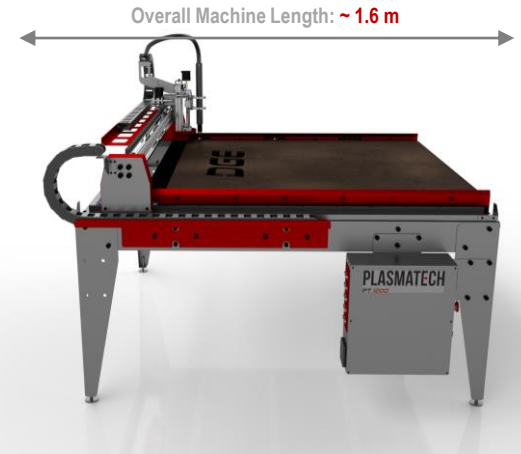
- ✓ Integrated frame / waterbed design
- ✓ Laser & bend frame construction
- ✓ High quality **linear guides & bearings**

Gantry Design:

- ✓ Light weight Alu extrusions
- ✓ Linear guides / bearings all round
- ✓ Spring loaded gear meshing for better cut quality
- ✓ High quality / minimum backlash gearboxes

Maximum Plate Size:

- ✓ 1.25m x 1.25m
- ✓ Thickness: up to 12mm (MS)



HYPERTHERM
A Hypertherm Associates Brand

Authorized Distributor



PLASMATECH

CNC PLASMA MACHINES

WHY PLASMATECH ?

- ☐ Designed and manufactured in South Africa, since 2010.
- ☐ Exclusively offered with **HYPERTHERM** plasma sources for the best cutting experience.
- ☐ Technical / after sales support on machines, plasma units & consumables..

www.plasmatech.co.za

Designed and
manufactured by:



www.dge.co.za
info@dge.co.za

PT1200

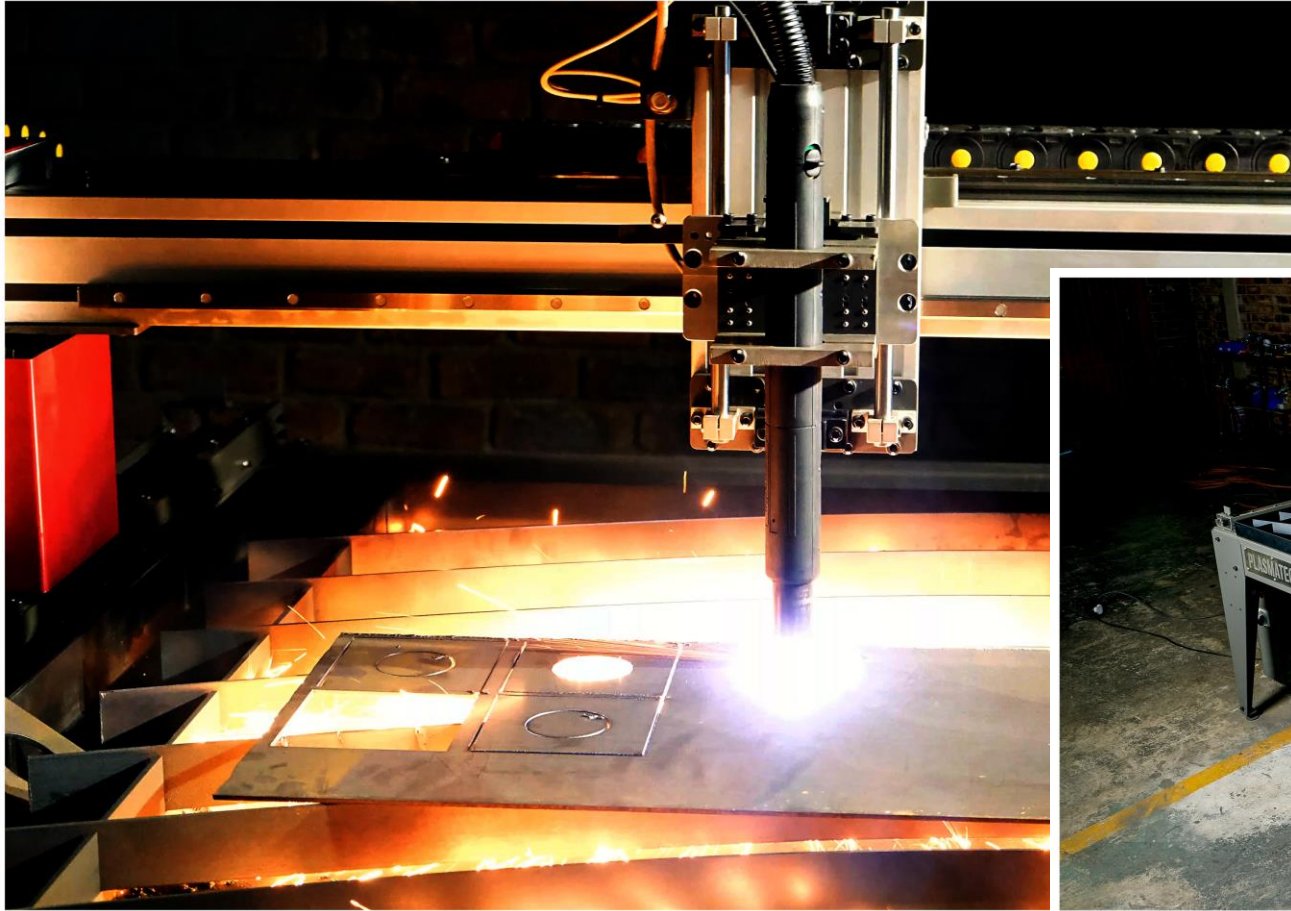
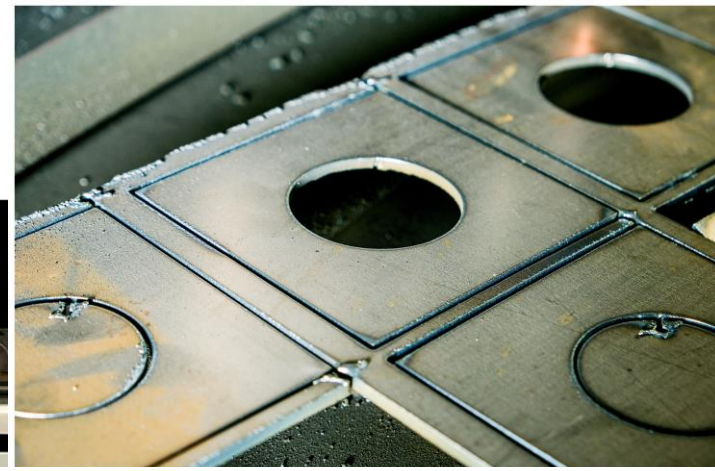
Plate Size: 1.25 x 1.25m



HYPERTHERM®

A Hypertherm Associates Brand

Authorized Distributor



PLASMATECH

CNC PLASMA MACHINES

WHY PLASMATECH ?

- Designed and manufactured in South Africa, since 2010.
- Exclusively offered with **HYPERTHERM** plasma sources for the best cutting experience.
- Technical / after sales support on machines, plasma units & consumables..

www.plasmatech.co.za

Designed and
manufactured by:



www.dge.co.za
info@dge.co.za

PT1512

Plate Size: 1.25 x 1.5m



Gantry Design:

- ✓ Alu extrusions
- ✓ Linear guides / bearings all round
- ✓ Spring loaded gear meshing for better cut quality
- ✓ High quality / minimum backlash gearboxes

Control:

- ✓ Laptop based interface
- ✓ Industry standard software (included), ready to CUT

Features:

- ✓ Integrated Torch Height Control (THC)
- ✓ Magnetic breakaway safety switch
- ✓ All round limit switches

Construction:

- ✓ Integrated frame / waterbed design
- ✓ Large gauge laser & bend frame construction
- ✓ High quality **linear guides & bearings**

Maximum Plate Size:

- ✓ 1.5m x 1.2m
- ✓ Thickness: up to **12mm (MS)**
(Depending on plasma source)

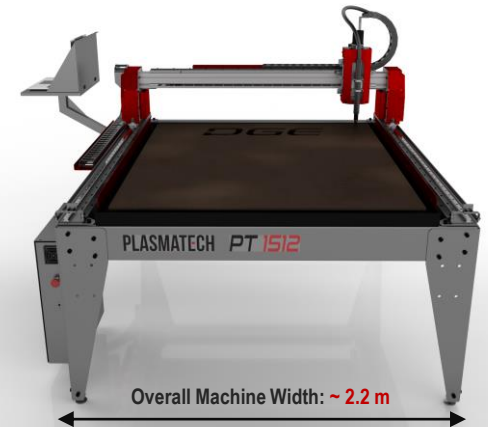
Overall Machine Length: ~2.2 m



HYPERTHERM®

A Hypertherm Associates Brand

Authorized Distributor



PLASMATECH

CNC PLASMA MACHINES

WHY PLASMATECH ?

- ☐ **Designed and manufactured in South Africa**, since 2010.
- ☐ Exclusively offered with **HYPERTHERM** plasma sources for the best cutting experience.
- ☐ Technical / after sales support on machines, plasma units & consumables..

www.plasmatech.co.za

Designed and
manufactured by:



www.dge.co.za
info@dge.co.za

PT1512

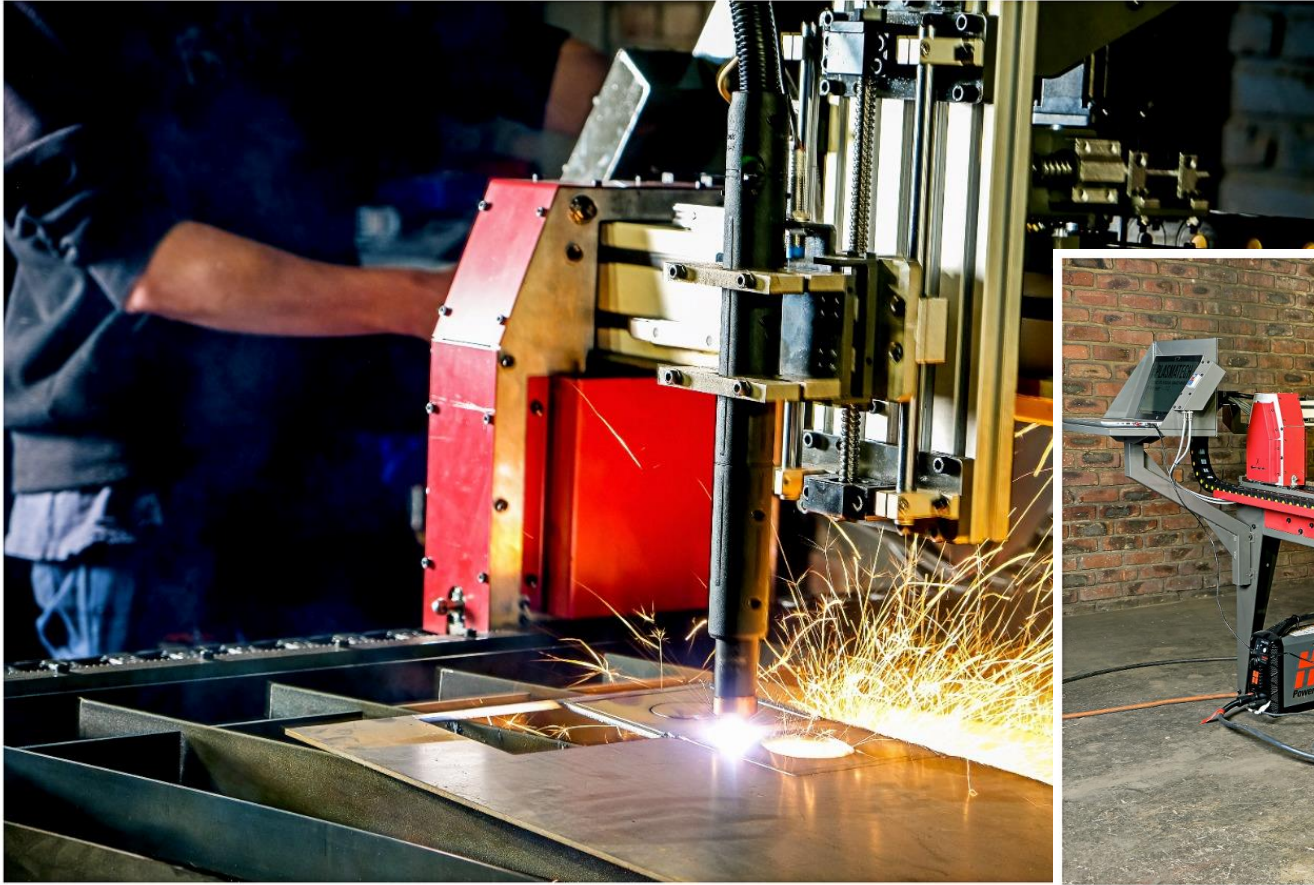
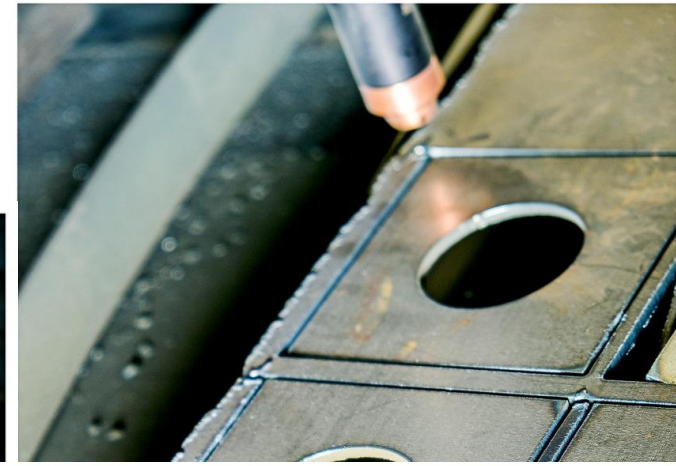
Plate Size: 1.25 x 1.5m



HYPERTHERM®

A Hypertherm Associates Brand

Authorized Distributor



PLASMATECH

CNC PLASMA MACHINES

WHY PLASMATECH ?

- Designed and manufactured in South Africa, since 2010.
- Exclusively offered with **HYPERTHERM** plasma sources for the best cutting experience.
- Technical / after sales support on machines, plasma units & consumables..

www.plasmatech.co.za

Designed and
manufactured by:



www.dge.co.za
info@dge.co.za

PT2400

Plate Size: 1.25 x 2.4m



Gantry Design:

- ✓ Alu extrusions
- ✓ Linear guides / bearings all round
- ✓ Spring loaded gear meshing for better cut quality
- ✓ High quality / minimum backlash gearboxes

Control:

- ✓ Laptop based interface
- ✓ Industry standard software (included), ready to CUT

Features:

- ✓ Integrated Torch Height Control (THC)
- ✓ Magnetic breakaway safety switch
- ✓ All round limit switches

Construction:

- ✓ Integrated frame / waterbed design
- ✓ Large gauge laser & bend frame construction
- ✓ High quality **linear guides & bearings**

Maximum Plate Size:

- ✓ 1.2m x 2.4m
- ✓ Thickness: up to **16mm (MS)**
(Depending on plasma source)

Overall Machine Length: ~ 3.0 m



HYPERTHERM®

A Hypertherm Associates Brand

Authorized Distributor



Overall Machine Width: ~ 2.2 m

PLASMATECH

CNC PLASMA MACHINES

WHY PLASMATECH ?

- ☐ **Designed and manufactured in South Africa**, since 2010.
- ☐ Exclusively offered with **HYPERTHERM** plasma sources for the best cutting experience.
- ☐ Technical / after sales support on machines, plasma units & consumables..

www.plasmatech.co.za

Designed and
manufactured by:



AUTOMATED SOLUTIONS

www.dge.co.za
info@dge.co.za

PT3000

Plate Size: 1.5 x 3.0m

Features:

- ✓ Integrated Torch Height Control (THC)
- ✓ Magnetic breakaway safety switch
- ✓ All round limit switches

Gantry Design:

- ✓ Dual Alu extrusions
- ✓ Linear guides / bearings all round
- ✓ Spring loaded gear meshing for better cut quality
- ✓ High quality/ minimum backlash gearboxes

Maximum Plate Size:

- ✓ 1.5m x 3.0m
- ✓ Thickness: up to 30mm (MS)
(Depending on plasma source)

Construction:

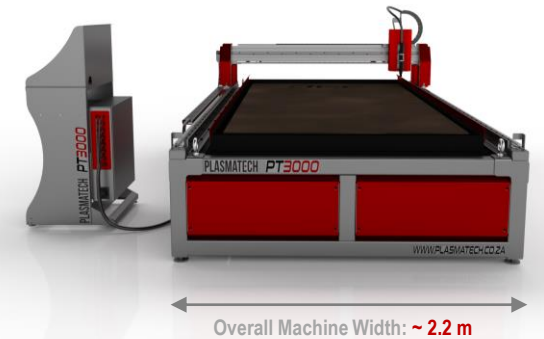
- ✓ Integrated frame / waterbed design
- ✓ Heavy duty section frame construction
- ✓ Highest quality **linear guides & bearings**

Control:

- ✓ Laptop OR industrial PC interface
- ✓ Robust control unit with closed loop motors
- ✓ Industry standard software (included), ready to CUT



HYPERTHERM[®]
A Hypertherm Associates Brand
Authorized Distributor



PLASMATECH

CNC PLASMA MACHINES

WHY PLASMATECH ?

- ☐ **Designed and manufactured in South Africa**, since 2010.
- ☐ Exclusively offered with **HYPERTHERM** plasma sources for the best cutting experience.
- ☐ Technical / after sales support on machines, plasma units & consumables..

www.plasmatech.co.za

Designed and
manufactured by:



www.dge.co.za
info@dge.co.za

PT3000

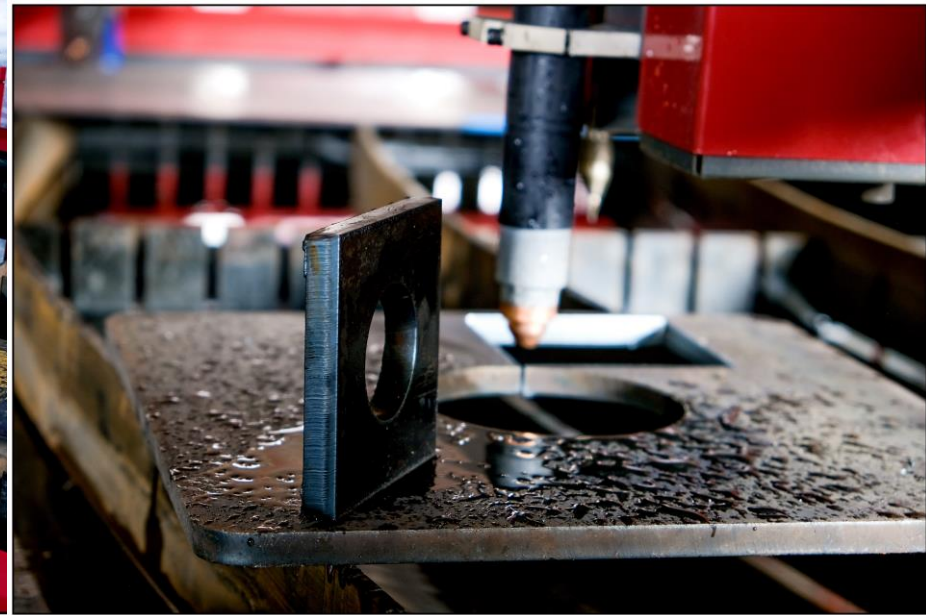
Plate Size: 1.5 x 3.0m



HYPERTHERM®

A Hypertherm Associates Brand

Authorized Distributor



PLASMATECH

CNC PLASMA MACHINES

WHY PLASMATECH ?

- Designed and manufactured in South Africa, since 2010.
- Exclusively offered with **HYPERTHERM** plasma sources for the best cutting experience.
- Technical / after sales support on machines, plasma units & consumables..

www.plasmatech.co.za

Designed and
manufactured by:



www.dge.co.za
info@dge.co.za

PT 6000

Plate Size: 2.0x 6.0m

Features:

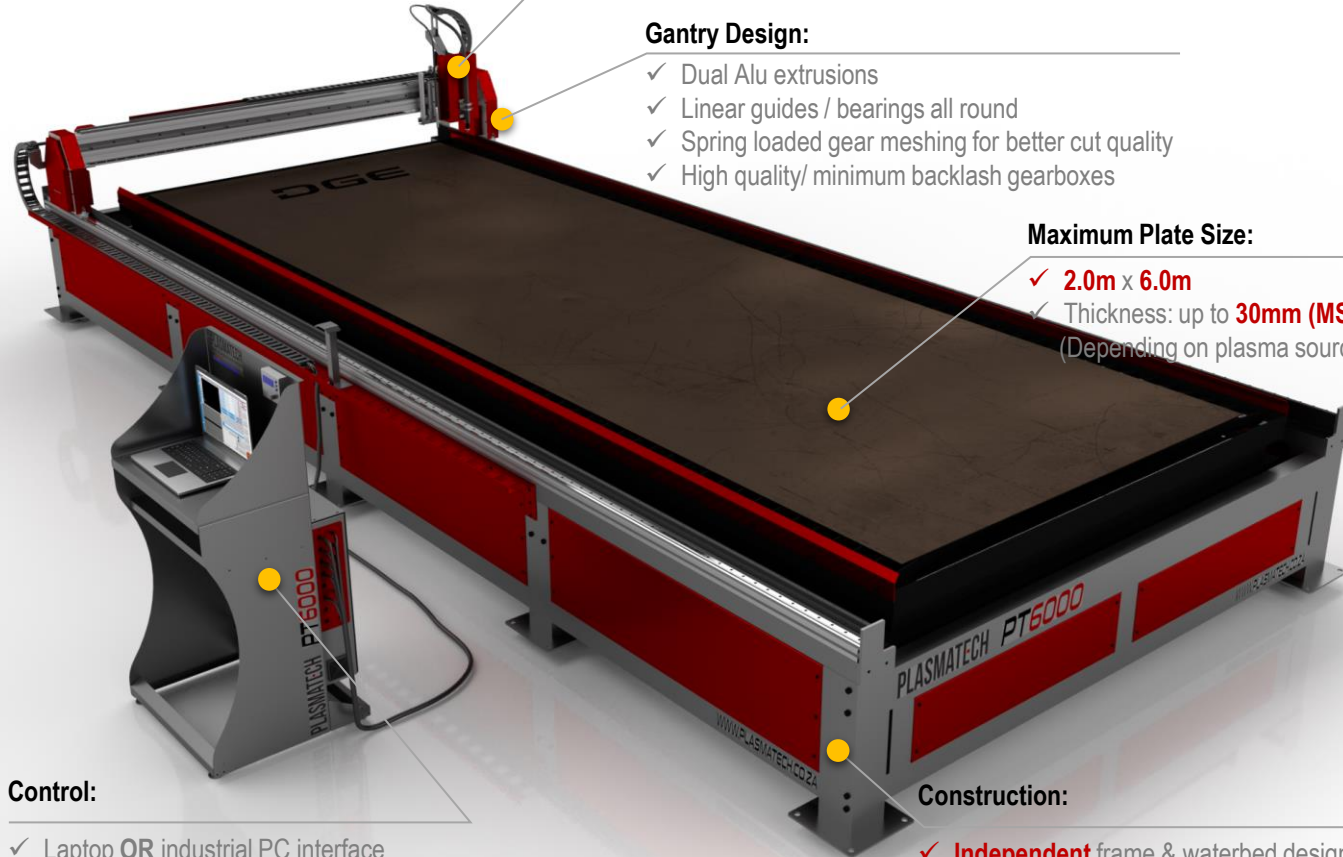
- ✓ Integrated Torch Height Control (THC)
- ✓ Magnetic breakaway safety switch, all round limit switches
- ✓ **OPTIONAL:** Pneumatic engraver

Gantry Design:

- ✓ Dual Alu extrusions
- ✓ Linear guides / bearings all round
- ✓ Spring loaded gear meshing for better cut quality
- ✓ High quality/ minimum backlash gearboxes

Maximum Plate Size:

- ✓ **2.0m x 6.0m**
- ✓ Thickness: up to **30mm (MS)**
(Depending on plasma source)



Control:

- ✓ Laptop **OR** industrial PC interface
- ✓ Robust control unit with closed loop motors
- ✓ Industry standard software (included), ready to CUT

Construction:

- ✓ **Independent** frame & waterbed design
- ✓ Heavy duty section frame construction
- ✓ Highest quality linear guides & bearings



HYPERTHERM[®]

A Hypertherm Associates Brand

Authorized Distributor



PLASMATECH

CNC PLASMA MACHINES

WHY PLASMATECH ?

- ❑ **Designed and manufactured in South Africa**, since 2010.
- ❑ Exclusively offered with **HYPERTHERM** plasma sources for the best cutting experience.
- ❑ Technical / after sales support on machines, plasma units & consumables..

www.plasmatech.co.za

Designed and
manufactured by:



www.dge.co.za
info@dge.co.za

PT 6000

Plate Size: 2.0x 6.0m



HYPERTHERM®

A Hypertherm Associates Brand

Authorized Distributor



PLASMATECH

CNC PLASMA MACHINES

WHY PLASMATECH ?

- Designed and manufactured in South Africa, since 2010.
- Exclusively offered with **HYPERTHERM** plasma sources for the best cutting experience.
- Technical / after sales support on machines, plasma units & consumables..

www.plasmatech.co.za

Designed and
manufactured by:



www.dge.co.za
info@dge.co.za